

Thanks for purchasing a 9.Solutions product. With great passion, we design our products to be as versatile as possible. We hope that our products contribute to your creative vision.

Sincerely,

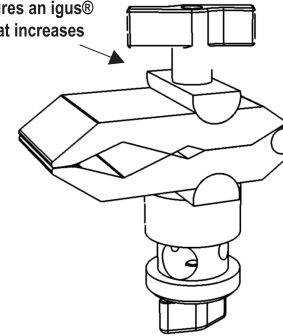
The 9.Solutions Team

SPECIFICATIONS:

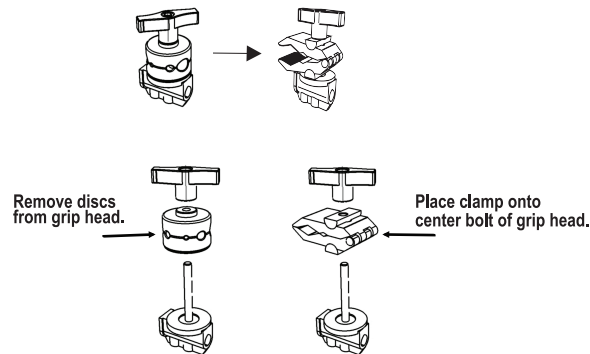
Weight: 495 g
Clamping Range: 0-50mm
Max Load: 20 kg
Connection(s):
(1x) 5/8" (16mm) Pass-thru Receptacle
(1x) 3/8" (10mm) Pass-thru Receptacle
Package Content(s):
(1x) Python Clamp with Grip Joint



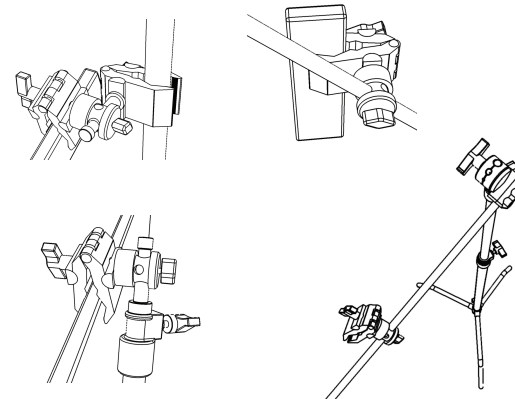
The tightening knob features an igus® Plysorb thrust bearing that increases torque by 40%.



Replace the discs on a grip head with the Python Clamp to allow a wider range of clamping possibilities on flat objects, large tubes, or any odd shaped object.



The Python Clamp with Grip Joint can be used in combination with any 5/8" (10mm) standard rods or stands to hold and position equipment with standard or non-standard mounting points.



Always follow the safety standards and regulations of the given country where the product is being used.

Visit www.9.solutions for more info.